



Information about the product

Dimensions	1182 x 1059 cm
Safety zone	1432 x 1368 cm
Safety zone area	108,5 m ²
Overall height	900 cm
Free fall height	180 cm
Amount of users	40
Highest element	566 cm
Heaviest element	97 kg
Product complies with EN 1176-1:2017-12	Yes
Availability of spare parts	Yes
Age range	3-12

According to EN 1176-1:2017-12 norm, the product requires applying a safety surface according to the product's free fall height.



Functions



Climbing



Balancing



Sliding



Socializing

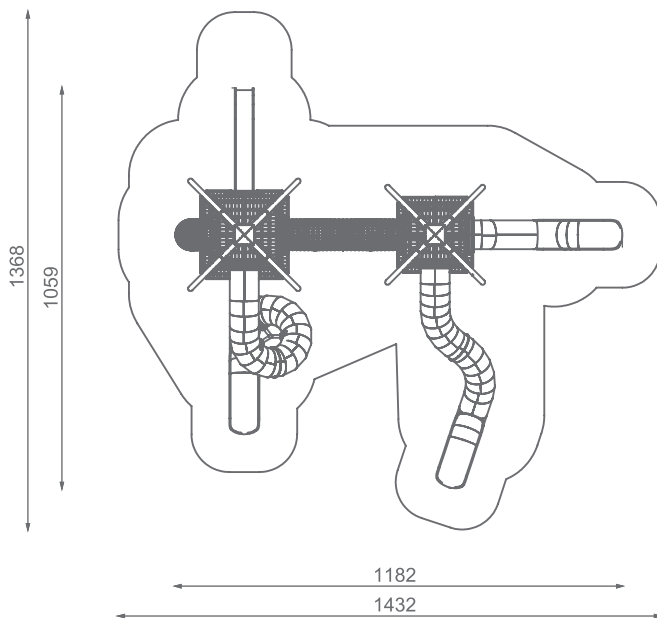
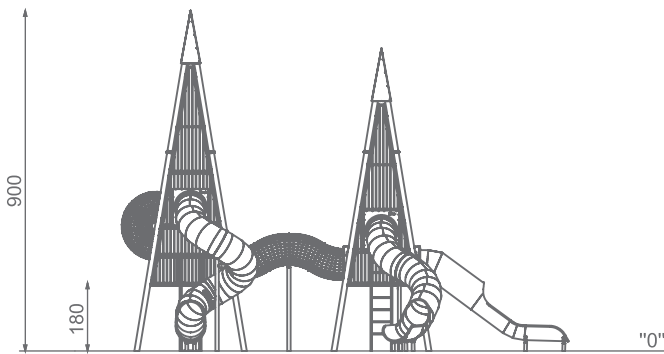
Technology



**COLOR
WAVE MASTER**

A painting technique that allows for the seamless blending of two colours, creating a gradient effect.

1:200



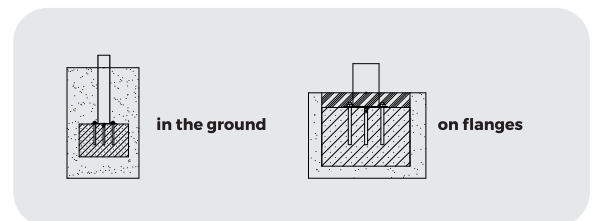
Due to the height of the free fall of the product, the EN 1176-1:2017-12 norm allows following types of fall- absorbing surfaces:

Material	Description	Minimal layer thickness mm
Bark	Chipped bark of coniferous trees (no wood-based materials), the size of the pieces between 20mm to 80mm	300
Wood chips	Mechanically fragmented wood without bark and leaves, size of the pieces between 5 mm to 30	300
Sand or gravel	Particle size between 0,25 mm to 8 mm	300
Synthetic material	Synthetic material with an approval for free fall heights ≥ 180 cm	

All types of surfaces need to be preserved by adding bulk material and removing extraneous matters. Broken glass is considered to be most hazardous.

Special attention should be paid to the direction in which the stainless-steel slide is located. Due to the possibility of the slide heating up from the sun, the product shouldnot be placed in the direction that receives more sunlight.

Installation method



Warranty



10 years

The Guaranty covers all flaws of the elements made of HPL, HDPE, stainless steel, hot-dip galvanized steel, wooden elements (pine, spruce), revealed during usage, which arise from manufacturing reasons.



5 years

The Guaranty covers all flaws of the elements made of powder coated steel, aluminum, laminate, ropes, elements made in rotomoulding technology, elements made of polyamid, polypropylene elements, revealed during usage, which arise from manufacturing reasons.



2 years

The Guaranty covers all flaws of the elements made of rubber, moving elements (bearings, joints), electronic elements, elements made of EPDM, elements made of plywood and other not mentioned before revealed during usage, which arise from manufacturing reasons.

Product description

Construction: Made of 133 mm diameter steel pipes. Black steel cleaned through shot blasting and protected against corrosion by powder galvanising and powder coating.

Roof: Made of black steel sheets, cleaned through shot blasting and protected against corrosion by powder galvanising and powder coating.

Bridges and Passages: Made of stainless steel mesh (AISI 304).

Slides: 3 x tube slides (H: 180 cm, 270 cm, 330 cm) and 1 x open slide (H: 180 cm), made of stainless steel (AISI 304), cleaned in the process of bead blasting.

Entrances: Ladders made of stainless steel (AISI 304), cleaned in the process of bead blasting.

Platforms: Frame made of 60x40 mm black steel profiles, cleaned through shot blasting, protected against corrosion by powder galvanising and powder coating. Covered with 10 mm thick HPL Hexa anti-slip panels, resistant to moisture and UV radiation.

Wall Panels: Made of 15 mm thick three-layer HDPE polyethylene resistant to moisture and UV radiation .

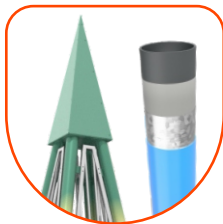
Connectors and Safety Fasteners: Made of injection-moulded polyamide.

All screws exposed to weather conditions made of stainless steel.

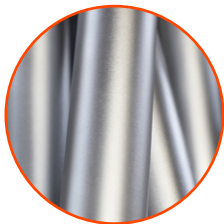
The device includes:

- 2 x Towers
- 3 x Tube Slides
- 1 x Open Slide
- 2 x Passages
- 2 x Ladder Entrance

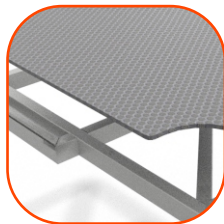
Materials



A structure made of black steel S235JR, protected against corrosion through galvanizing and powder coating with UV-resistant polyester paints.



Elements made of stainless steel AISI304 totally resistant to various weather conditions.



A galvanized and powder-coated frame covered with a 10 mm thick anthracite-colored, anti-slip HPL hexa platform plate. Underneath, a 6 mm thick HPL hexa layer.



Wall panels made of high quality, coloured triple-layer HDPE 15 mm, resistant to moisture and UV.



All slides made of stainless steel AISI304